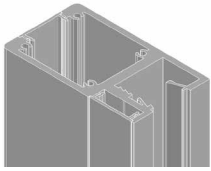
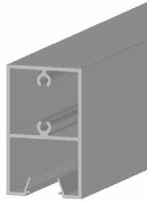


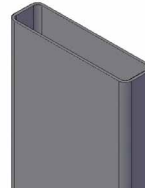
Vertical slat heavy duty hinged pedestrian gate components



Quickscreen heavy duty gate frame



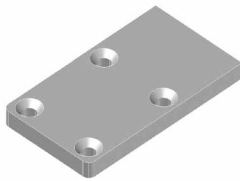
2 15/16" x 1 3/4" heavy duty top/bottom rail



2 9/16" x 5/8" slat



6" slat



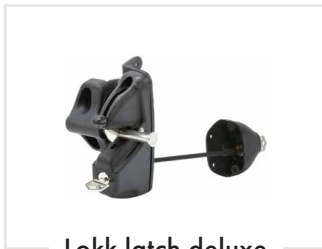
Top cap



Spacer blocks



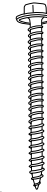
Spacer Infill



Lokk latch deluxe



Tru close heavy duty hinge pair
(Rated for gates up to 140lbs)



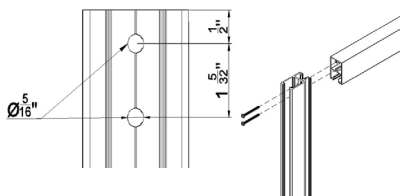
Hex head screws
12g x 2 1/2"
Use to affix T/B gate rail to gate frame

DEDUCTIONS FOR MAKING VARYING SIZES OF VERTICAL SLAT PEDESTRIAN GATES

$$\text{LENGTH OF TOP AND BOTTOM RAIL} = \text{WIDTH OF GATE} - 6 \frac{9}{32}"$$

$$\text{SLAT LENGTH} = \text{HEIGHT OF GATE} - 4 \frac{1}{2}"$$

STEP 1 Once height is established, cut side frames to length, using a saw suitable for **cutting Aluminum**. For the overall height, allow an extra 1/2" for the frame end caps. On both ends of the heavy duty gate frames, mark the hole positions, as shown below and pre-drill 2 x 5/16" holes. These holes are for the Hex Head Screws, that hold the top and bottom rails into place.



STEP 2 To calculate the number of slats required, use the following formulas.

2.56" SLAT

3/8" Space = ((length of top rail - 3/8") divided by 2.913)). Round up to full number.
1/2" Space = ((length of top rail - 1/2") divided by 3.059)). Round up to full number.
1" space = ((length of top rail - 1/2") divided by 3.56)). Round up to full number.

6" SLAT

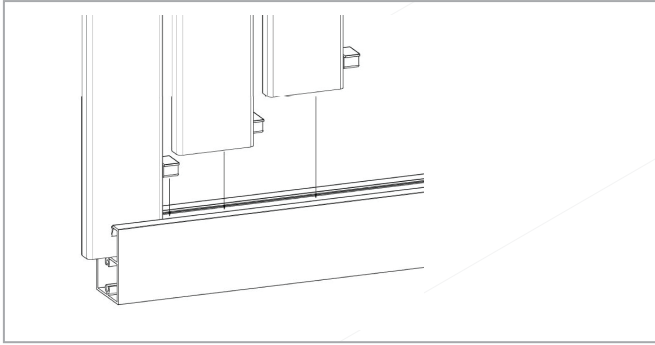
3/8" Space = ((length of top rail - 3/8") divided by 6.26)). Round up to full number.
1/2" Space = ((length of top rail - 1/2") divided by 6.405)). Round up to full number.
1" space = ((length of top rail - 1/2") divided by 6.905)). Round up to full number.



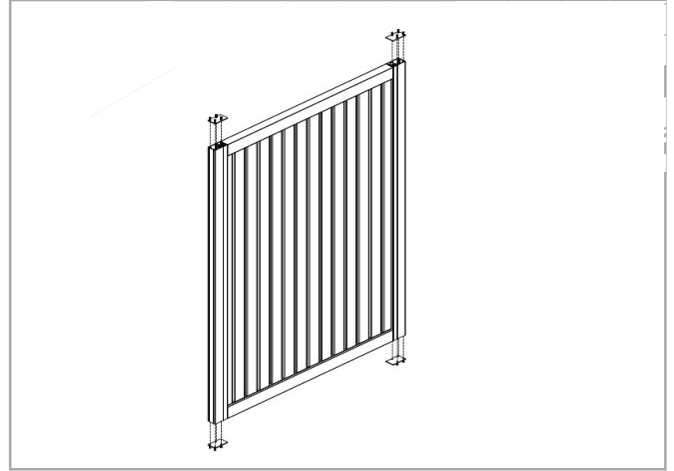
NOTE:

The slats can project, into each gate frame, up to 15/16" each side.

Vertical slat screen hinged gate fabrication guide

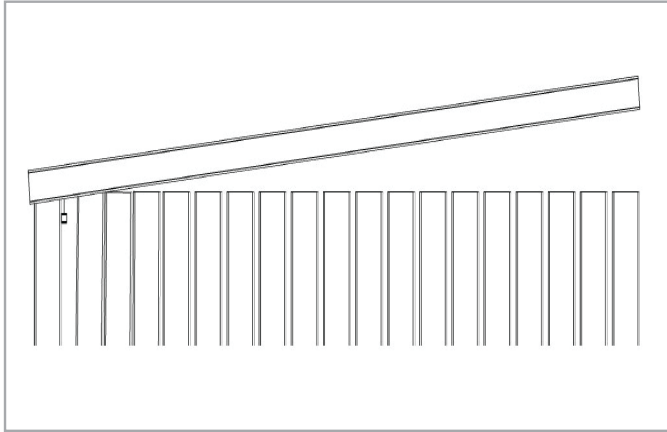


STEP 3 On a soft surface, place 1 rail. Insert 1 slat, as shown, and snap a spacer into place next to the first slat. Insert the balance of slats and spacers, using the same procedure. Tap the side of the slats to evenly space the 1st and last slat from the ends of the rail.



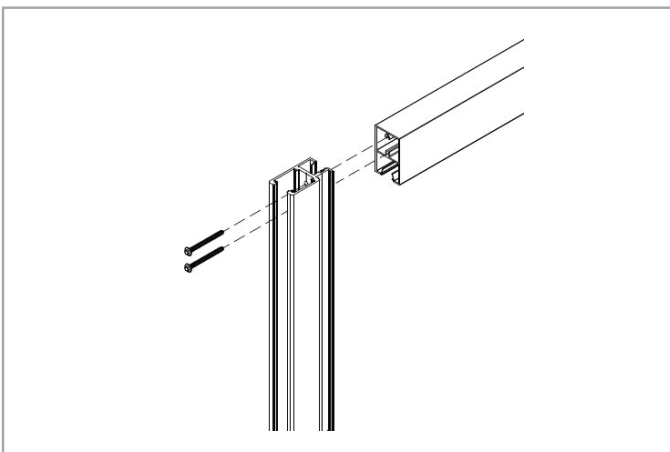
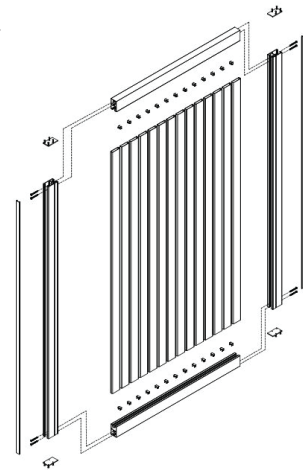
STEP 6

Attach caps to top and bottom of the frame.



STEP 4 Holding the top rail on an angle, place the rail onto the 1st and 2nd slat only, making sure the gripping legs in the rail engage the 1st slat. Move the 2nd slat away from the 1st, until there is sufficient room to snap in the 1st spacer. Move 2nd slat back until the slat touches the first spacer. Follow this procedure until all slats are installed.

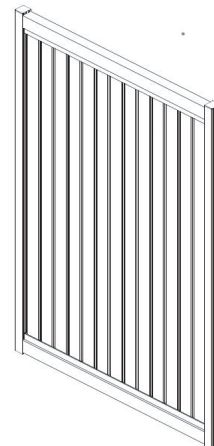
EXPLODED VIEW



STEP 5

Feed all slats into the side frames that are attached to the top bottom rails. After each slat is installed click the spacer blocks into place, making sure that the narrower width of the block is facing away from the top and bottom rails.

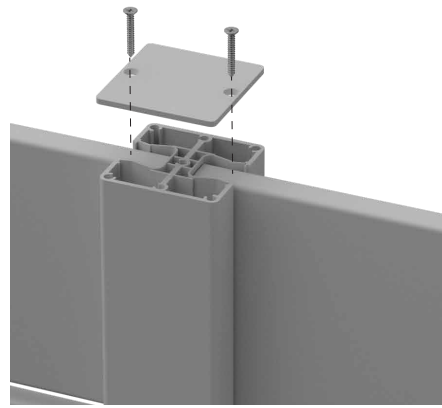
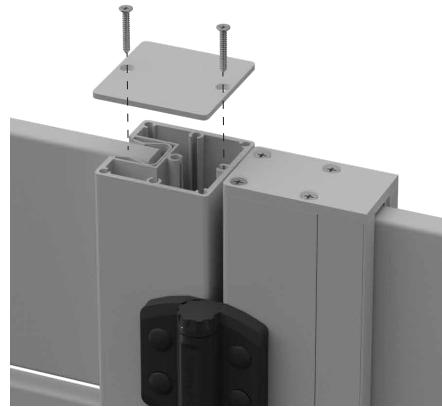
COMPLETED



NOTE: Do not over tighten screws

APPENDIX HIGH WIND SITUATIONS

If using 1 or 2 way posts, orient top cap with 2 holes over the slats and screw off top cap into slats.



If using 3 way post, ensure there is sufficient space at top of post. Prior to attaching top cap, attach a slat clip to top of top slat.

