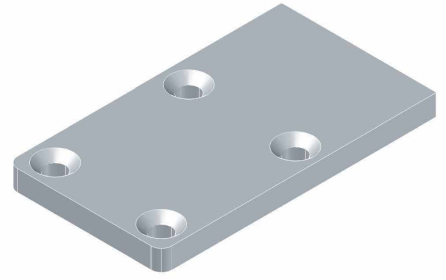


Heavy duty gate frame



29/16" Slat



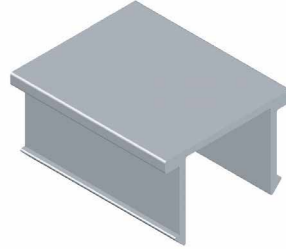
Gate Frame End Cap



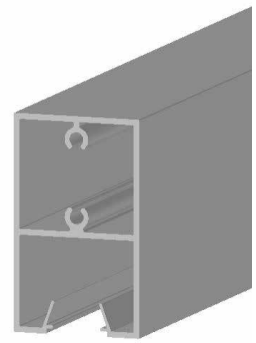
3/8"Spacer



1/2"spacer



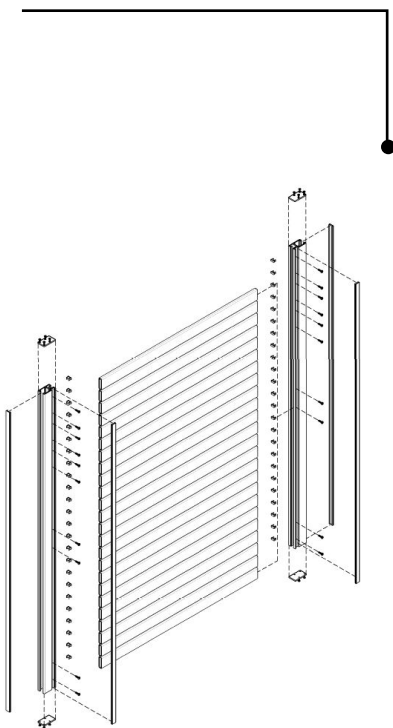
1"spacer



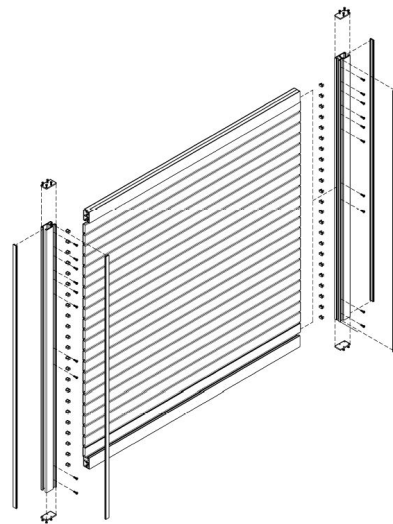
Heavy Duty Top/Bottom Rail

3/8"Spacer

EXPLODED VIEW

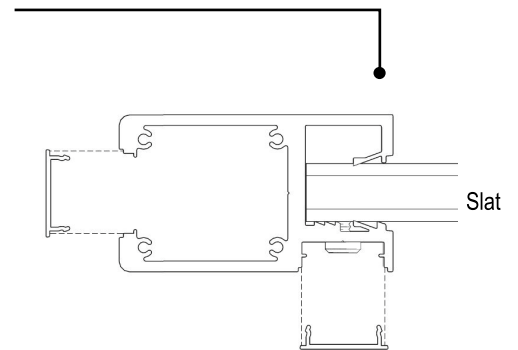


Gate panel up to 47"



Gate panel above 47"

SIDE FRAME CONSTRUCTION



Slat

HEIGHT ADJUSTMENT OF GATE FRAME

- Following the chart shown, cut the **gate side frames** to the required height. Gates are pre-made at 71" & 95" high but can be height adjusted as required, using the deductions in the chart.

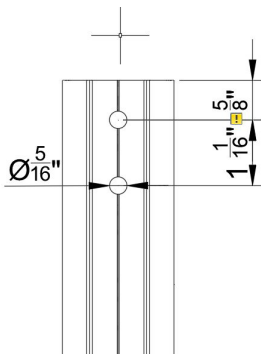
WIDTH and HEIGHT ADJUSTMENT

- Maximun gate width is 8'-3". Using an aluminium saw, cut all **slats** to suit the required overall gate width. If height of gate is reduced, use the deductions shown to suit the spacing of the slats.

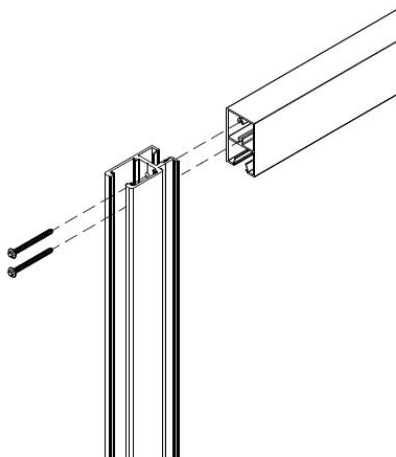
NOTE: All deductions are shown on the adjacent chart.

NOTE

- You need to allow for hinge and latch gaps. Check hinge and latch hardware specifications for gaps required and take this information into account when determining **OVERALL GATE WIDTH**



-



Holding the top rail on an angle, place the rail onto the 1st and 2nd slat only, making sure the gripping legs in the rail engage the 1st slat. Move the 2nd slat away from the 1st, until there is sufficient room to snap in the 1st spacer. Move 2nd slat back until the slat touches the first spacer.

Spacing	Approx Gate Frame Length	Gate Width	No. Slats	Slat Length
3/8"	70 3/8"	max 48"	24	Gate width - 4 7/32"
For shorter gate heights, decrease the height in multiples of 6 1/4" until desired height is achieved				
1/2"	71"	max 48"	23	Gate width - 4 7/32"
For shorter gate heights, decrease the height in multiples of 6 13/32" until desired height is achieved				
1"	68 5/8"	max 48"	19	Gate width - 4 7/32"
For shorter gate heights, decrease the height in multiples of 6 13/32" until desired height is achieved				

NOTE: The overall gate height is the gate frame length, as shown above, plus 1/2". Excludes the extra 1/2" allowance for the end plates that are attached to the frames at both ends.

PANELS WIDER THAN 47"

Spacing	Approx Gate Frame Length	Gate Width	No. Slats	Slat Length
3/8"	71"	max 72"	22 + T/B Rail	Gate width - 4 7/32"
For shorter gate heights, decrease the height in multiples of 6 1/4" until desired height is achieved				
1/2"	71"	max 72"	21 + T/B Rail	Gate width - 4 7/32"
For shorter gate heights, decrease the height in multiples of 6 13/32" until desired height is achieved				
1"	71"	max 72"	18 + T/B Rail	Gate width - 4 7/32"
For shorter gate heights, decrease the height in multiples of 6 13/32" until desired height is achieved				

NOTE: The overall gate height is the gate frame length, as shown above, plus 1/2". Excludes the extra 1/2" allowance for the end plates that are attached to the frames at both ends.

When making a gate that is wider than 48", it is important to fit a heavy duty rail to the top and bottom of the gate panel. Rails with replace 2 slats in the No. Slats Column in the above chart.

$$\text{Rail length} = \text{slat length} - 17/8"$$

After cutting the gate frames to your selected length, drill the frames, top and bottom, to the measurements shown.

Attach both rails to the top and bottom of the gate frame, on one frame only, then move to the next step.

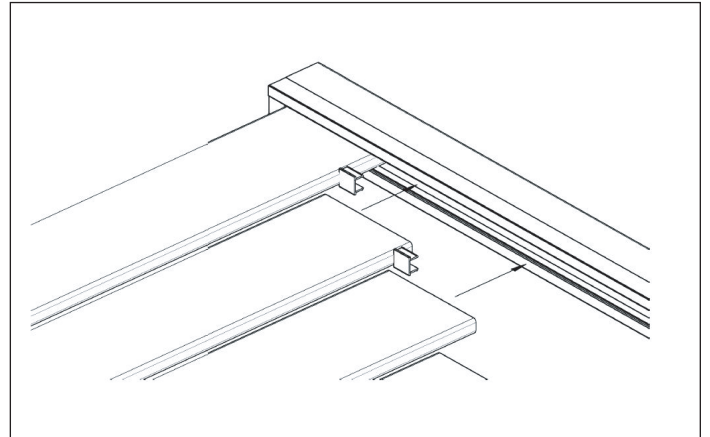
NOTE: Owing to tolerances in Aluminum extrusions, the above gate frame lengths are approximate. It is suggested that the slats/slats + rails be set out on a soft surface with the appropriate spacing and the overall measurement - outside to outside, be taken ensuring that the top and bottom slat enters the rails a short distance. Check measurements again and then cut the frames to this length.

4

On a flat protected surface, lay 1x **gate side frame** and rest against a padded stop and **clip 1st spacer** into place.

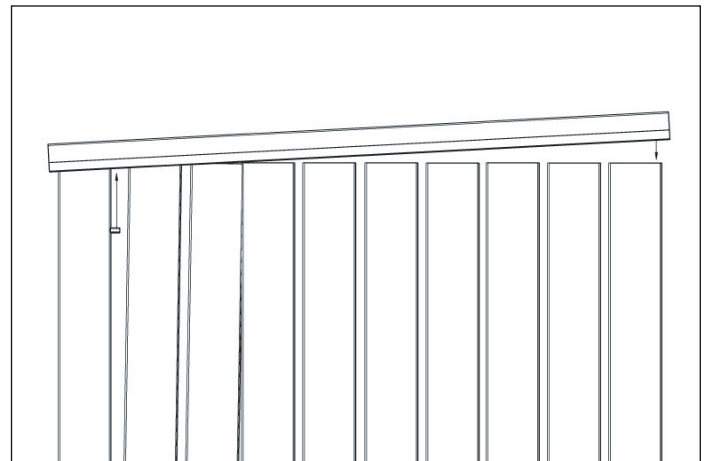
Firmly insert 1st slat, followed by spacer.
Follow this procedure until all slats and spacers are in place.

If wider than 47" first spacer is placed in line with end of top and bottom rail.



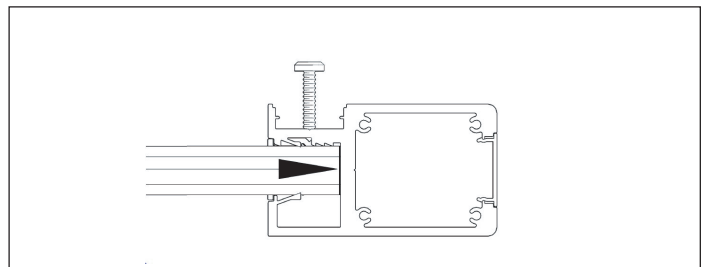
5

Holding the second gate side frame on an angle, place the gate frame onto the 1st and 2nd slat only, making sure the gripping legs in the gate frame engage the 1st slat. Move the 2nd slat away from the 1st until there is sufficient room to snap in the 1st spacer. Move 2nd slat back until the slat touches the first spacer.



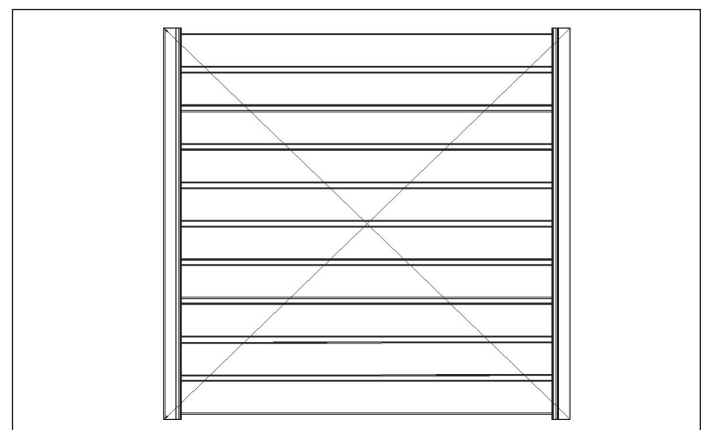
6

Tap frame towards each other to ensure slat sits firmly against the inside web of the frame.



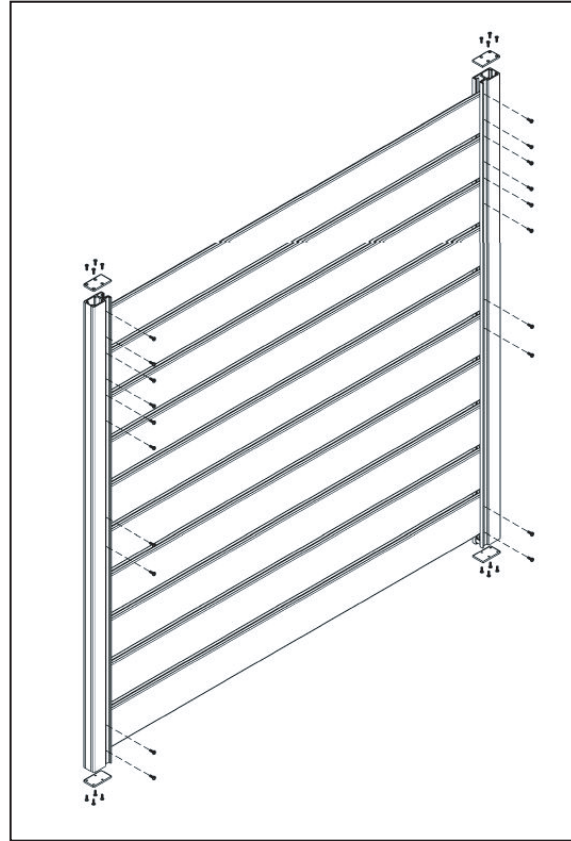
7

Check measure diagonals to ensure the gate is square.
Gate is square when diagonals from corner to corner are equal.

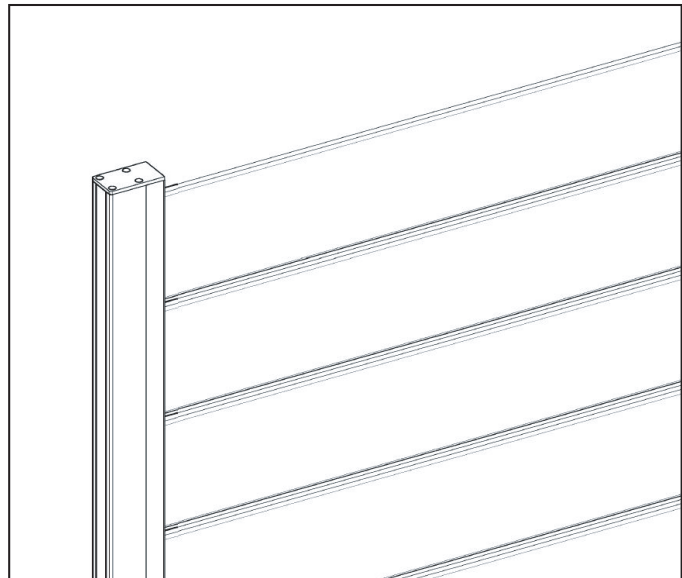


8

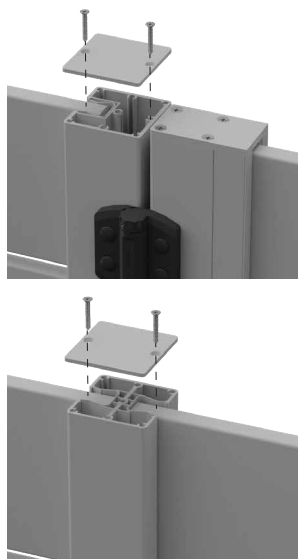
Once you are satisfied that the panel is square, fix screws through the 2 frames and slat. Insert two screws into each slat, making a total of 4 screws per slat. Locate screws approx. 3/4" in from the edges of the slat. Follow this procedure and screw off the 3 top slats, the middle slat and the last slat on the bottom



Finalize by attaching 2 screw covers and the 2 end caps to each gate frame.



If using 1 or 2 way posts, orient top cap with 2 holes over the slats and screw off top cap into slats.



If using 3 way post, ensure there is sufficient space at top of post. Prior to attaching top cap, attach a slat clip to top of top slat.

