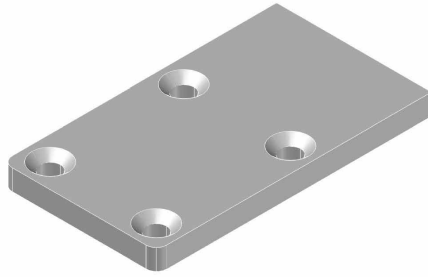


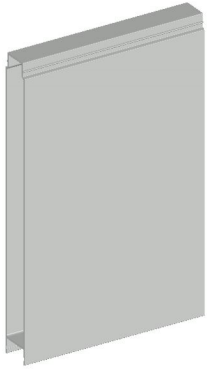
**Heavy Duty Gate Frame**



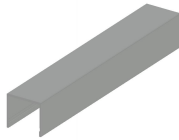
**Gate Frame End Cap**



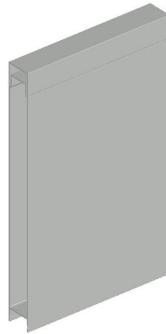
**6"slat**



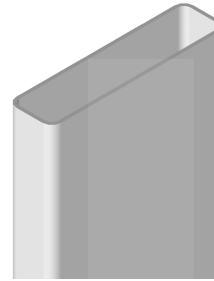
**T&G Board**



**T&G Finishing Trim**



**F/Trim with T&G Board**



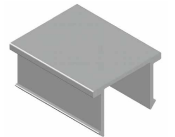
**2.56" Slat**



**3/8"Spacer**

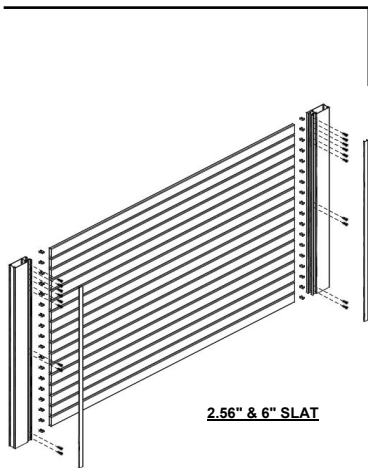


**1/2"spacer**

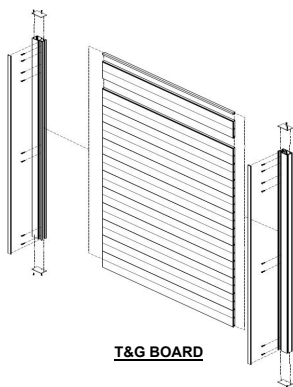


**1"spacer**

**EXPLODED VIEW**

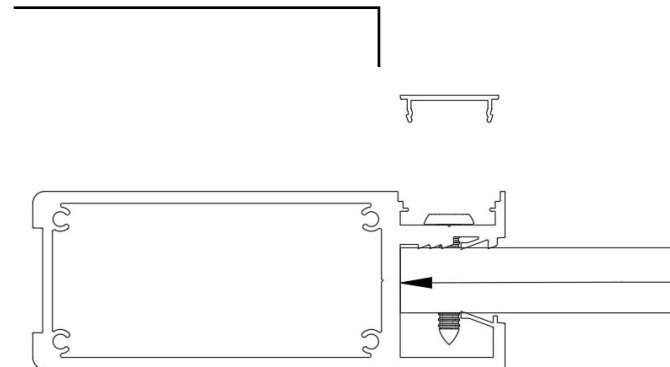


**2.56" & 6" SLAT**



**T&G BOARD**

**SIDE FRAME CONSTRUCTION**



**Gate side frame assembly with screws**

## HEIGHT ADJUSTMENT OF GATE FRAME

- Following the chart shown, cut the **gate side frames** to the required height. Gates are pre-made at **71"** high but can be height adjusted as required, using the deductions in the chart.

## WIDTH and HEIGHT ADJUSTMENT

- Maximun gate width is 7'-0". Using an aluminium saw, cut all **slats** to suit the required overall gate width. If height of gate is reduced, use the deductions shown to suit the spacing of the slats.

**NOTE:** All deductions are shown on the adjacent chart.

- NOTE** You need to allow for hinge and latch gaps. Check hinge and latch hardware specifications for gaps required and take this information into account when determining **OVERALL GATE WIDTH**
- 

**NOTE**

- With all aluminum extrusions, there is a tolerance factor that applies to each profile. As a result, the size of each profile can vary from batch to batch. The frame length shown in the adjacent charts are based on nominal sizes of the extrusion and, because of the impossibility of the task, does not allow for these tolerances. Consequently, it is suggested that the slats and spacers be set out on the cutting table and the overall height of the slats be measured in order to give you a more accurate measurement for the length of the Gate Frame.

### 2.56" Slat

Spacing	Gate Frame Length	Gate Width	No. Slats	Slat Length
3/8"	69 1/4"	max 4'6"	24	Gate width - 7 3/8"
For shorter gate heights, decrease the height in multiples of 6 1/4" until desired height is achieved				
1/2"	71"	max 4'6"	24	Gate width - 7 3/8"
For shorter gate heights, decrease the height in multiples of 6 13/32" until desired height is achieved				
1"	70 1/16'	max 4'6"	20	Gate width - 7 3/8"
For shorter gate heights, decrease the height in multiples of 5 9/32" until desired height is achieved				

NOTE: The overall gate height is the gate frame length, as shown above, plus 1/2". The extra 1/2" is allowance for the end plates that are attached to the frames at both ends.

### 6" Slat

Spacing	Gate Frame Length	Gate Width	No. Slats	Slat Length
3/8"	68 25/32"	max 99"	11	Gate width - 7 3/8"
For shorter gate heights, decrease the height in multiples of 6 1/4" until desired height is achieved				
1/2"	71"	max 99"	11	Gate width - 7 3/8"
For shorter gate heights, decrease the height in multiples of 6 13/32" until desired height is achieved				
1"	70 1/16'	max 99"	10	Gate width - 7 3/8"
For shorter gate heights, decrease the height in multiples of 6 13/32" until desired height is achieved				

### T&G Board (privacy slat)

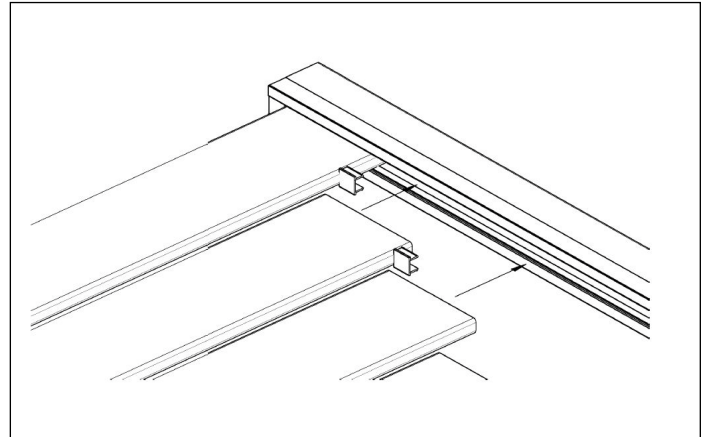
Spacing	Gate Frame Length	Gate Width	No. Slats	Slat Length
-	5'-6"	max 8'-3"	11	Gate width minus 5 27/32"
For shorter gate heights, decrease the height in multiples of 5 25/32" until desired height is achieved				

**3**

On a flat protected surface, lay 1x **gate side frame** and rest against a padded stop and **clip 1st spacer** into place.

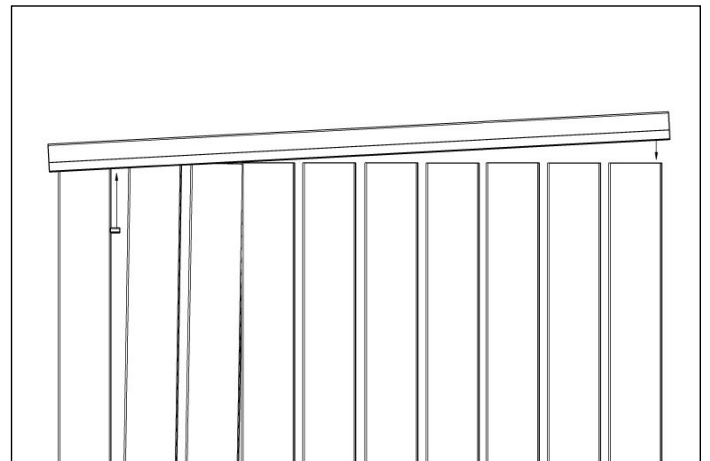
Firmly insert 1st slat, followed by spacer.

Follow this procedure until all slats and spacers are in place.



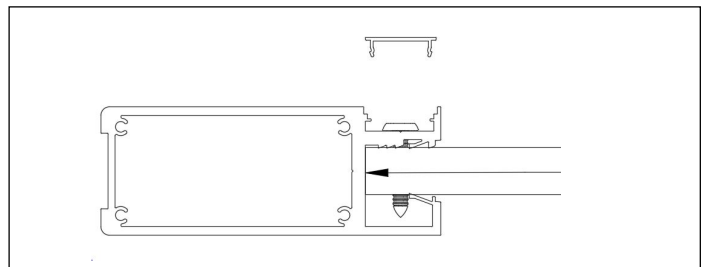
**4**

Holding the top rail on an angle, place the rail onto the 1st and 2nd slat only, making sure the gripping legs in the rail engage the 1st slat. Move the 2nd slat away from the 1st, until there is sufficient room to snap in the 1st spacer. Move 2nd slat back until the slat touches the first spacer.



**5**

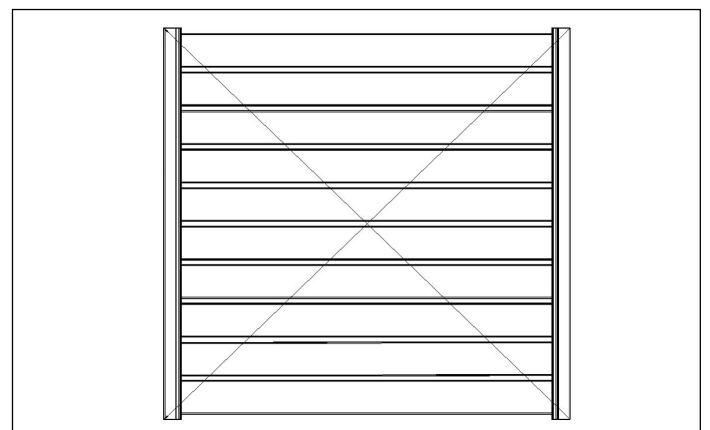
Tap frame towards each other to ensure slat sits firmly against the inside web of the frame.



**6**

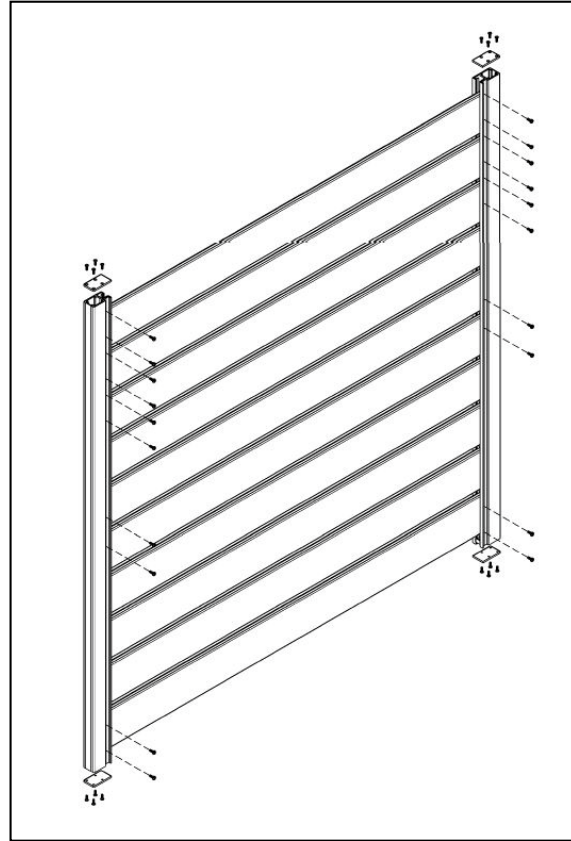
Check measure diagonals to ensure the gate is square.

Gate is square when diagonals from corner to corner are equal.

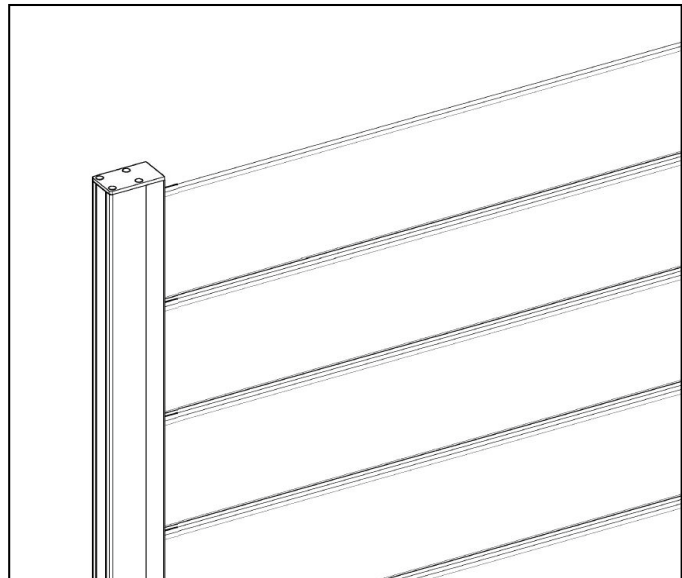


7

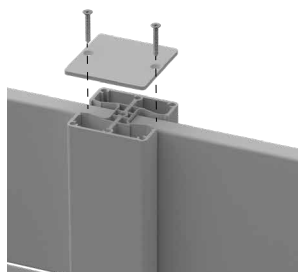
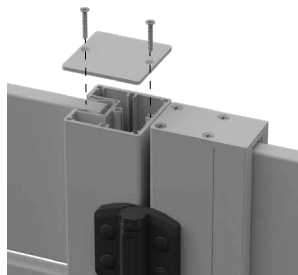
Once you are satisfied that the panel is square, fix screws through the 2 frames and slat. Insert two screws into each slat, making a total of 4 screws per slat. Locate screws approx. 3/4" in from the edges of the slat. Follow this procedure and screw off the 3 top slats, the middle slat and the last slat on the bottom



Finalize by attaching 2 screw covers and the 2 end caps to each gate frame.



If using 1 or 2 way posts, orient top cap with 2 holes over the slats and screw off top cap into slats.



If using 3 way post, ensure there is sufficient space at top of post. Prior to attaching top cap, attach a slat clip to top of top slat.

